



Specifications

Rating: 5-24V / 1A DC.
Operating Life: 50 Million cycles min.
Contact Resistance: 1Ω MAX.
Operating Temperature: -20°C to 65°C.

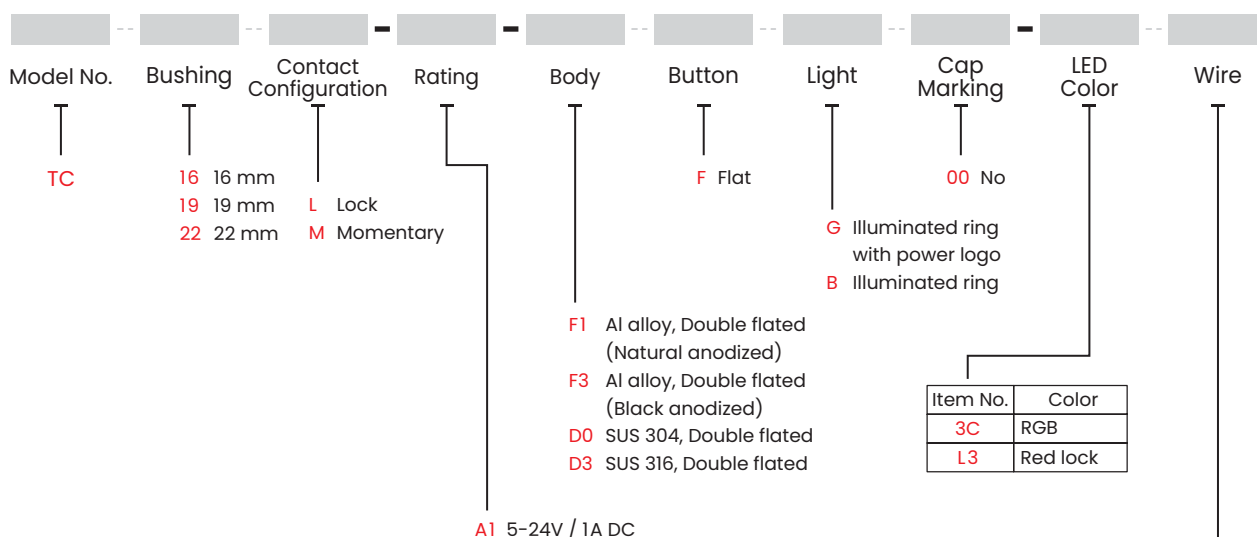
Ingree Protection: IP68 (In house test)



Materials

Bushing: Aluminum alloy / Stainless steel.
CAP: PC ; Aluminum alloy / Stainless steel.
Sealing: Silicone, EPOXY.
O-Ring: Silicone.
Hex Nut: Nickel plated brass.
Wire: Standard wire 26 AWG.

HOW TO ORDER



Available with TC16 model only
D201 150 mm+2.54 2x3 Connector (Std.)
D202 300 mm+2.54 2x3 Connector

Available with TC19 / TC22 model only
D101 150 mm+2.54 1x6 Connector (Std.)
D102 300 mm+2.54 1x6 Connector

Note: Please consult sales for additional wire options.

EXAMPLE:

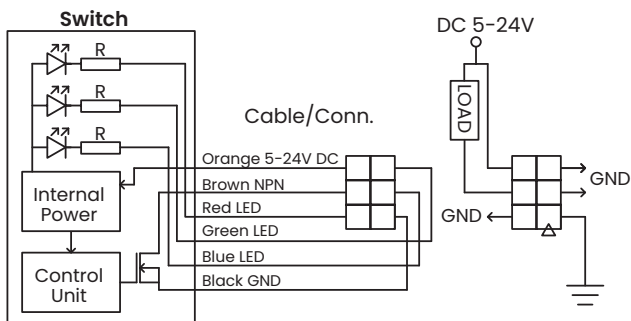
TC16L-A1-□F□00-3CD201
Light options
Body options

TC19L-A1-□F□00-3CD101
Light options
Body options

▼ **CIRCUIT**

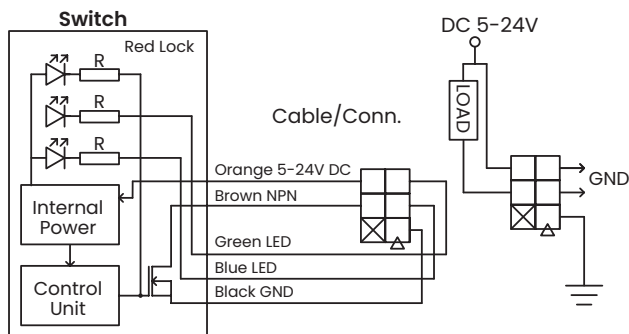
3C RGB LED application diagram

Note: Available with TC16 model only.



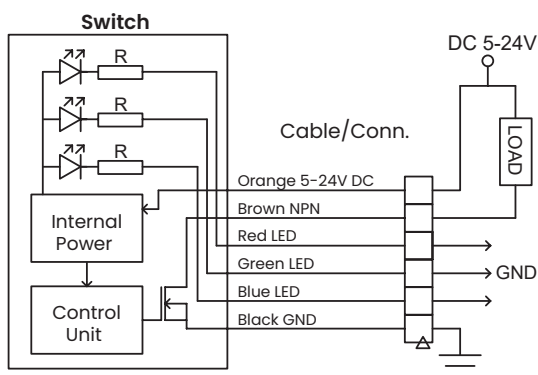
L3 Red LED application diagram

Note: Available with TC16 model only.



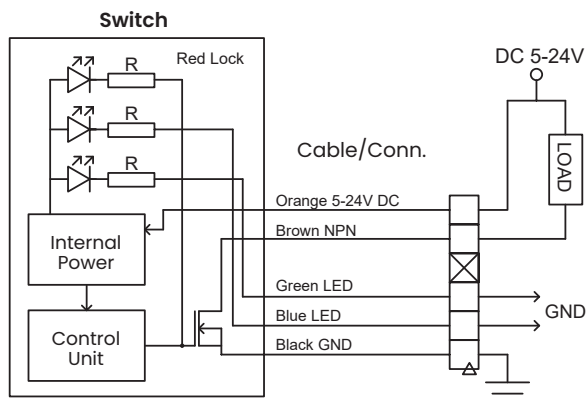
3C RGB LED application diagram

Note: Available with TC19 and TC22 models only.



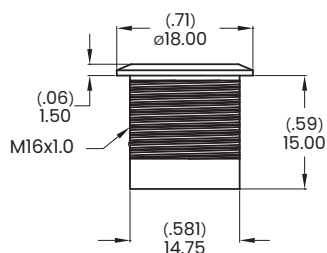
L3 Red LED application diagram

Note: Available with TC19 and TC22 models only.

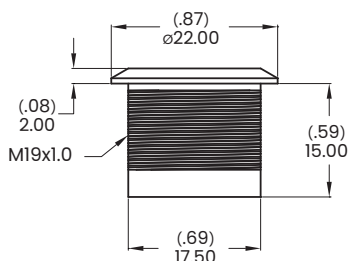


▼ **BUSHING OPTIONS**

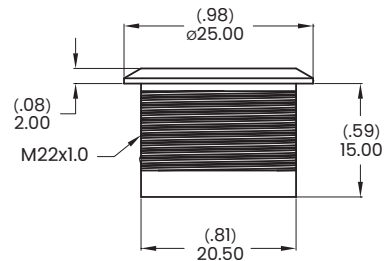
16



19

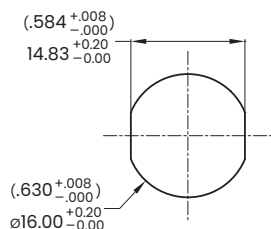


22

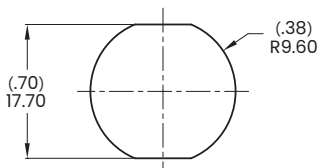


▼ **PANEL MOUNTING**

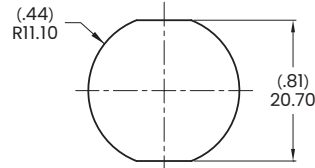
16 mm Bushing



19 mm Bushing



22 mm Bushing

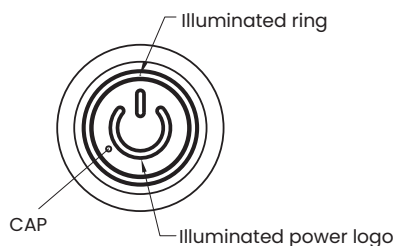


Panel thickness: 8.0 mm (.315 inch) MAX.

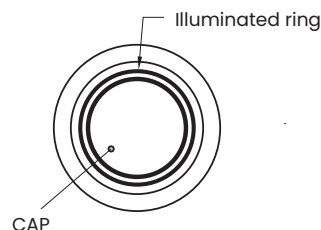
Panel thickness: 10.0 mm (.394 inch) MAX.

▼ LIGHT OPTIONS

G Illuminated Ring with Power logo

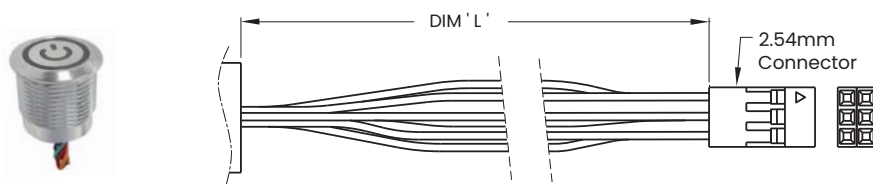


B Illuminated Ring



▼ WIRE OPTIONS

D20X Wire leads, 26 AWG
Note: Available with TC16 Model only.

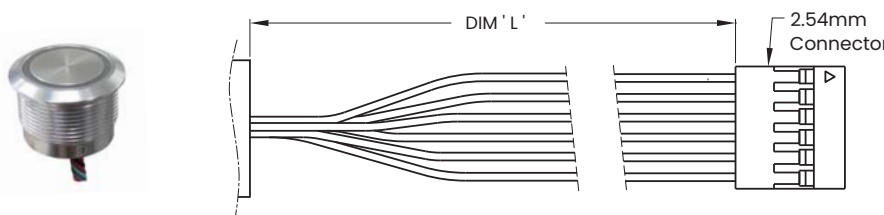


Wires:

Code	DIM 'L'
D201	150 mm
D202	300 mm

- Orange wire - 5-24V DC
- Brown wire - NPN
- Red wire - Red LED
- Green wire - Green LED
- Blue wire - Blue LED
- Black wire - GND

D10X Wire leads, 26 AWG
Note: Available with TC19 / TC22 Models only.



Wires:

Code	DIM 'L'
D101	150 mm
D102	300 mm

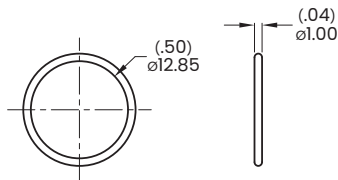
- Orange wire - 5-24V DC
- Brown wire - NPN
- Red wire - Red LED
- Green wire - Green LED
- Blue wire - Blue LED
- Black wire - GND

▼ HARDWARE

* Standard hardware : 1 Nut, 1 O-Ring
* For further information please consult sales representative.

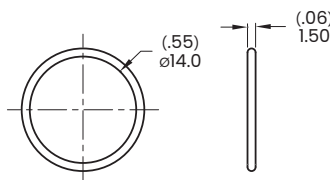
Available with bushing 16 only

O-Ring
Model name. FCP-MP602



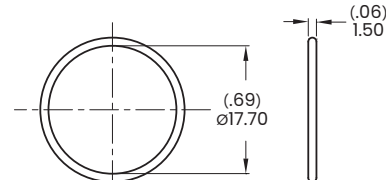
Available with bushing 19 only

O-Ring
Model name. FCP-PY02

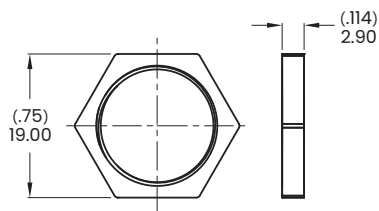


Available with bushing 22 only

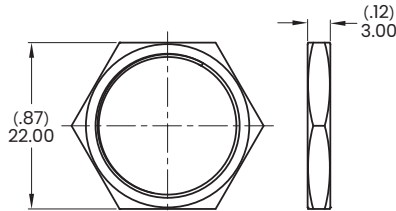
O-Ring
Model name. FCP-MPB07



Hex Nut
Model name. MNU-PY01



Hex Nut
Model name. MNU-MPB01



Hex Nut
Model name. MNU-MPB02

