



Navigation Switches Series SF30BA



Application

- Industrial equipment
- Public building
- CNC Machine tool
- Medical equipment
- Robot
- Transportation

Feature

- Panel cutting Ø30mm
- Front Panel IP65
- 5 Key Navigation Switches
- LED Illuminated
- Metal Housing

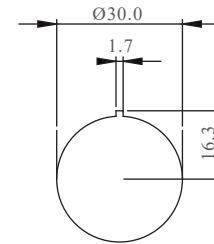
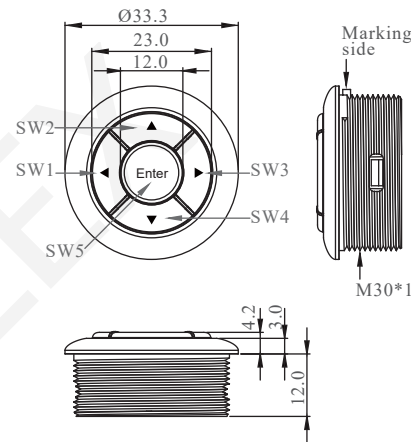
General Specifications

Switch Circuit	:SP5T (5-key Common bus)
Switch Contact Rating	:50mA @ 12V DC max.
LED rating	:Limited forward current(IF) at 20mA max
Contact Resistance	:500m Ohm Max.(initial)
Insulation Resistance	:100MOhm Min.
Operating Force	:400gf±200gf(S1~4) 250gf±100gf(S5)
Total Travel	:0.5mm ± 0.3mm
Mechanical Life	:200,000 cycles Min.
Operating Temperature	:-25 °C ~ +60 °C

Materials

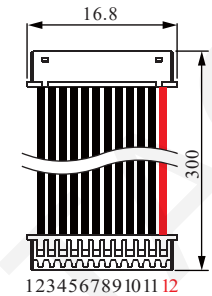
Housing	:Aluminum
Cap	:Polycarbonate (PC)
Reflector	:Silicone
Nuts	:Polyamide(PA)
Base	:Acrylonitrile Butadine Styrene (ABS)
Washer	:NBR
SUS Washer	:SUS

Dimension & Panel Cutting



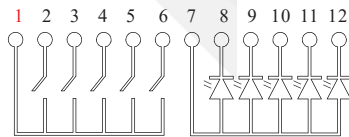
Panel cutting
Panel thickness :
1.5~4.0mm

Option



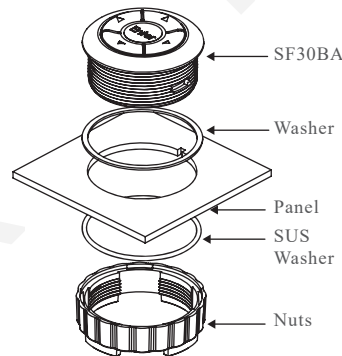
Cable: YCW024
Cable:UL1571#28AWG
Conductor pitch : 1.25mm
Conductor width : Ø0.3mm

Contact Configuration & Installation Notes



Pin	Function	Pin	Function
1	SW COM.	7	LED (+)
2	SW 1 N.O.	8	SW 1 LED(-)
3	SW 2 N.O.	9	SW 2 LED(-)
4	SW 3 N.O.	10	SW 3 LED(-)
5	SW 4 N.O.	11	SW 4 LED(-)
6	SW 5 N.O.	12	SW 5 LED(-)

Recommend add resistor to limited each LED forward current at 20mA



How to Order



SF30BA4051

White LED /
Silver Housing /
Paint Black Cap with Marking



SF30BA5551

Pure Green LED /
Black Housing /
Paint Black Cap with Marking



SF30BA7051

Blue LED /
Silver Housing /
Paint Black Cap with Marking

- ※ Color is subject to actual product.
- ※ We provide Laser Marking service.