



Waterproof Multi-function Switches Series SF19BA



Feature

- Panel cutting Ø19mm
- Front Panel IP65
- 5 Key Navigation Switches
- LED Illuminated
- Metal Housing

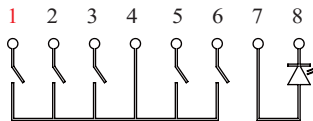
General Specifications

Switch Circuit	:SP5T (5-key Common bus)
Switch contact rating	:50mA @ 12V DC max
LED Rating	:30mA @ 12V DC
Contact Resistance	:300mΩ Max.
Insulation Resistance	:100MΩ Min.
Operating Force	:Center Push 650±200gf 4-Direction 250±100gf
Mechanical Life	:50,000 cycles Min.
Operating Temperature	:-20 °C ~ +70 °C

Materials

Cap(Type 1,Type 2)	:Polyamide (PA)
Cap(Type 3)	Polycarbonate (PC)
Reflector	:Silicone
Base	:PC
Housing	:SUS
Nuts	:Polyamide (PA)
Washer	:Rubber

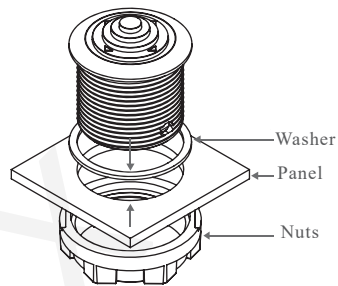
Contact Configuration & Panel cutting



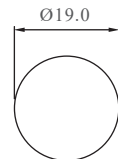
Pin	Function	Pin	Function
1	SW3 N.O.	5	SW4 N.O.
2	SW2 N.O.	6	SW5 N.O.
3	SW1 N.O.	7	LED(+)
4	SW COM.	8	LED(-)

The Connector for SF19BA module similar JST BM08B-SRSS-TB

Applicable Connector:
Conductor pitch / 1.0mm
Conductor width / □0.2mm

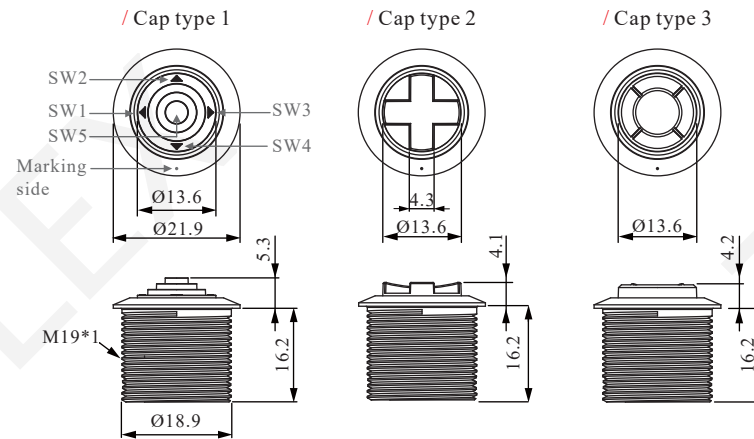


Installation Notes

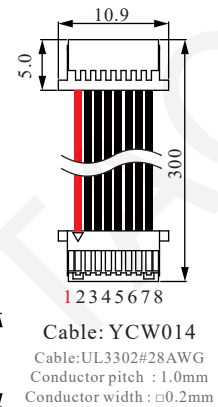


Panel thickness
1.5~4.0mm

Dimension



Option



How to order

 SF19BA0B11 Without LED / Silver Housing / Black Cap type 1	 SF19BA7B12 Blue LED / Silver Housing / Black Cap type 2	 SF19BA7A13 Blue LED / Black Housing / Black Cap type 3
---	--	---