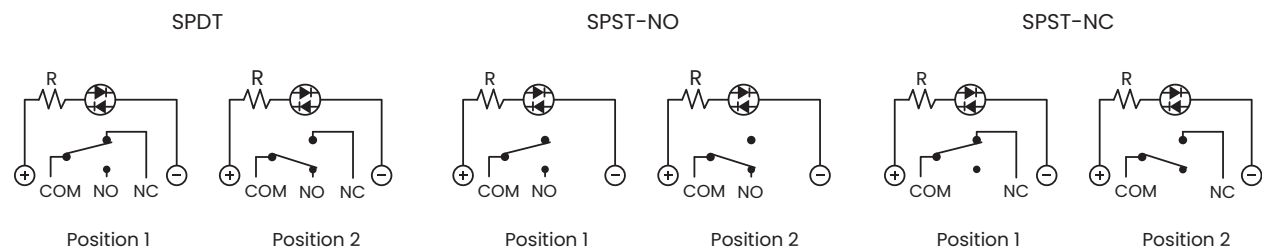




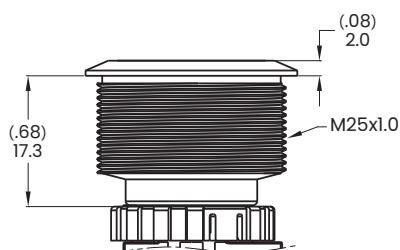


▼ **CIRCUIT**



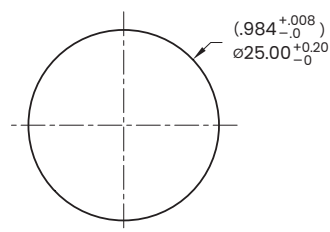
▼ **BODY OPTIONS**

**A0**



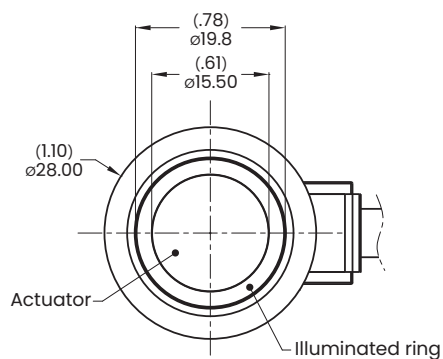
**Panel Mounting**

Max. Panel thickness: 10.0 mm (.394 inch)

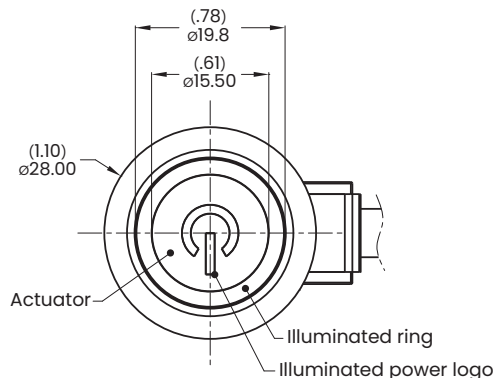


▼ **LIGHT OPTIONS**

**E Ring Moveable**



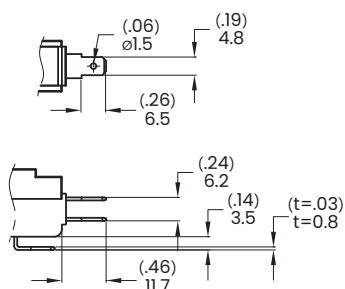
**L Ring+Power logo**



▼ **TERMINAL OPTIONS**

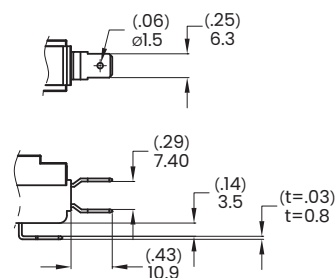
**#187 Only 16A**

Quick-connect terminal  
(t = 0.8 mm (0.3 inch))



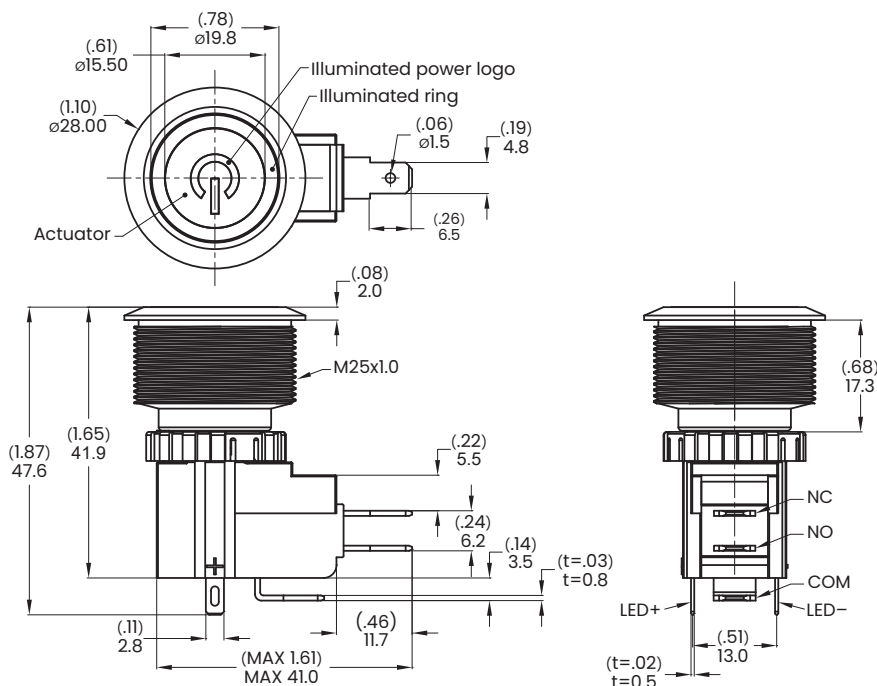
**#250 Only 26A**

Quick-connect terminal  
(t = 0.8 mm (0.3 inch))



▼ DIMENSION

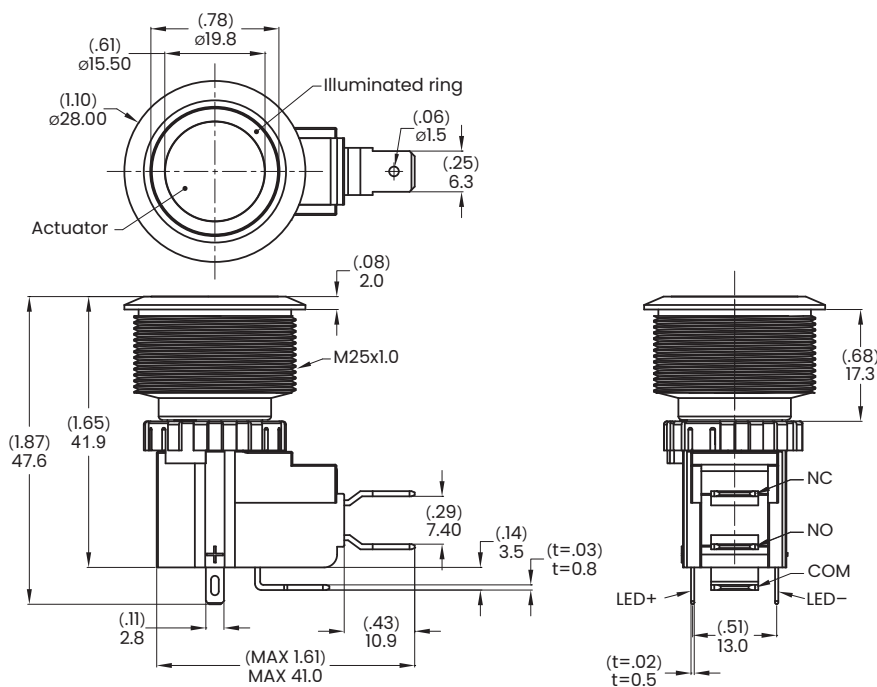
16A



SPDT

Model name. MW25-A0F0L112-A1ZB

26A



SPDT

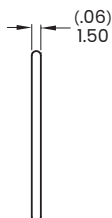
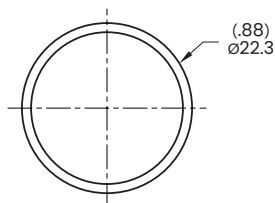
Model name. MW25-A0F0E712-A3ZA

▼ HARDWARE

\* Standard hardware : 1 Nut, 1 O-Ring. \* For further information please consult sales representative.

O-Ring

Model name. FCP-MPB25



Hex Nut

Model name. MNU-MPB03

