



Specifications

Rating: 16A, 26A 250 / 125 VAC.
 Contact Resistance: 50 mΩ max. @ 1A 12 VDC (initial value).
 Insulation Resistance: 100 MΩ min. at 500 VDC.
 Dielectric Strength: 1,500V RMS @ sea level (initial value).
 Operating Temperature: -25°C to 85°C.
 Mechanical Life: Momentary 1,000,000 cycles.
 Latching 500,000 cycles.
 Electrical Life: 16A /125 & 250 VAC, 50,000 cycles.
 26A /125 & 250 VAC, 10,000 cycles.
 Operating Pressure: 3.5 ± 1.5 N.
 Travel: About 3.2 mm.
 Torque: 1~3 Nm.

Ingree Protection: IP67 (In house test).



Materials

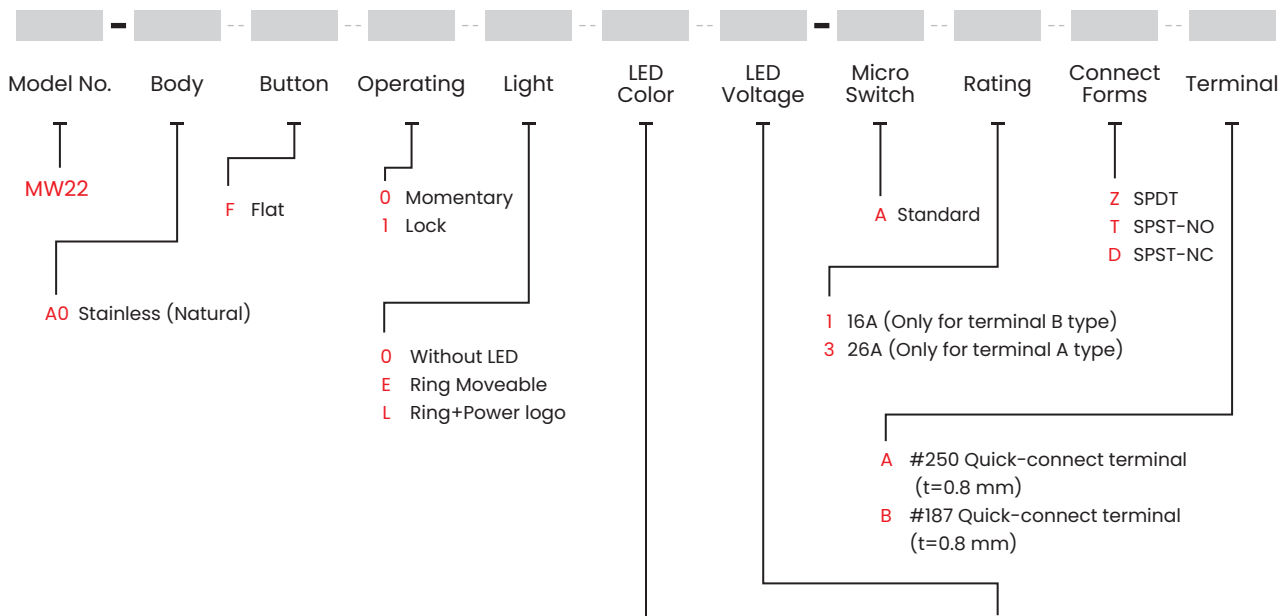
Bushing: Stainless Steel.
 Base: PBT (UL 94 V-0) , PC (UL 94 V-2).
 Actuator: PC ; Stainless Steel.
 Inner Assembly: POM / PA66.
 Spring : Steel.
 Sealing: Silicone.
 O-Ring : Silicone.
 Terminal: Brass, Silver plated.
 Hex Nut: Nickel plated brass.

Soldering Process

Manual Soldering: Use 60 watts soldering iron and controlled the temperature at 300°.
 Duration of solder immersion: Max. 3 sec.

HOW TO ORDER

Note: Specifications and availability subject to change without notice.



- Model No.**: MW22
- Body**: A0 Stainless (Natural)
- Button**: F Flat
- Operating**: 0 Momentary, 1 Lock
- Light**: 0 Without LED, E Ring Moveable, L Ring+Power logo
- LED Color**: (See table below)
- LED Voltage**: (See table below)
- Micro Switch**: A Standard
- Rating**: 1 16A (Only for terminal B type), 3 26A (Only for terminal A type)
- Connect Forms**: Z SPDT, T SPST-NO, D SPST-NC
- Terminal**: A #250 Quick-connect terminal (t=0.8 mm), B #187 Quick-connect terminal (t=0.8 mm)

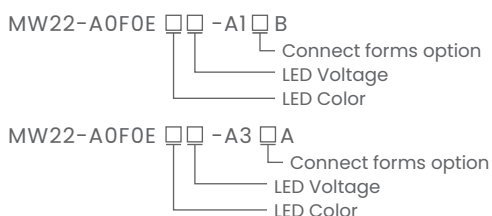
Item No.	Color
0	Without LED
Single Color LED	
1	White
3	Red
5	Yellow
6	Green
7	Blue
Dual Color LED	
A	Red+Green
B	Red+Blue

Item No.	Voltage
0	Without Resistor
3	3V
6	6V
12	12V
24	24V
36	36V
110	110V
220	220V

Note: LED Voltage (20 mA)

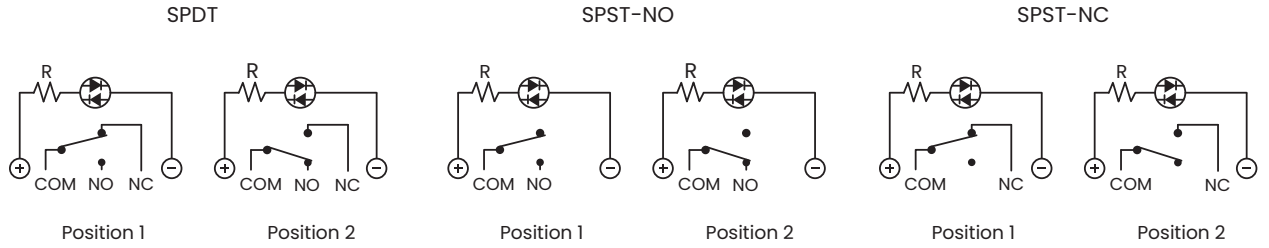
Note: For other LED colors information please consult sales representative.

EXAMPLE:



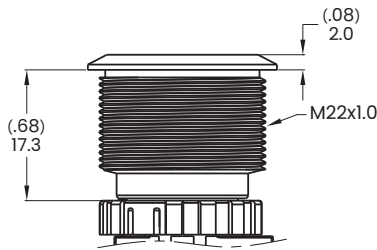


▼ **CIRCUIT**



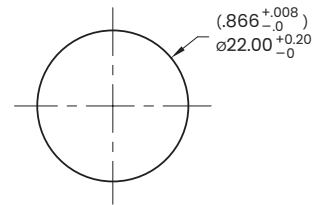
▼ **BODY OPTIONS**

A0



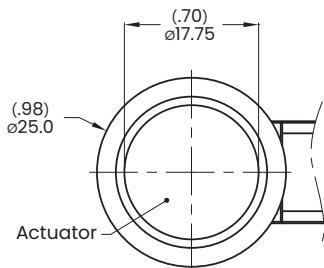
Panel Mounting

Max. Panel thickness: 10.0 mm (.394 inch)

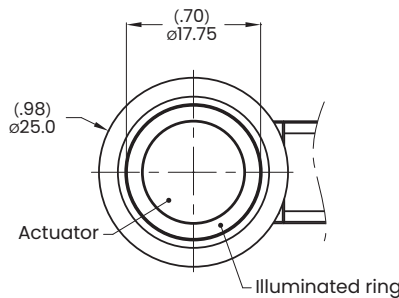


▼ **LIGHT OPTIONS**

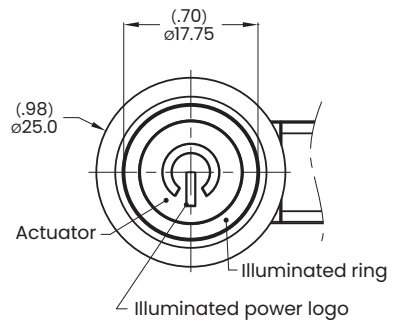
O Without LED



E Ring Moveable



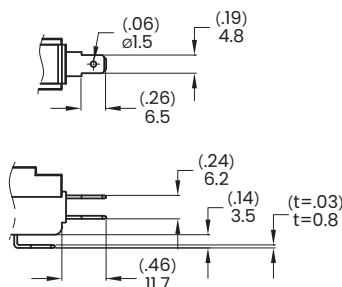
L Ring+Power logo



▼ **TERMINAL OPTIONS**

#187 Only 16A

Quick-connect terminal
(t = 0.8 mm (0.3 inch))



#250 Only 26A

Quick-connect terminal
(t = 0.8 mm (0.3 inch))

