



Specifications

Rating: 2A / 36 VDC
 Electrical Life: 200,000 make-and-break cycles at full load.
 Mechanical Life: 1,000,000 cycles.
 Dielectric Strength: 2,000V RMS@sea level.
 Contact Resistance: 50 mΩ MAX.@1A 12 VDC (initial value).
 (without wire leads).
 Note: When the switches with the wire assembly, we only test the electric conduction and will not test the contact resistance on the wire.
 Operating Temperature: -20°C to 70°C.
 Travel: ABOUT 1.8 mm.
 Operation Pressure: 4.5 ± 1.5 N.
 Torque: 1~3 Nm

Ingree Protection:

IP 67
ACCORDING TO
 EN 60529:1991+A1:2001
 IEC 60529:2001

C **UL** US
E 107490

RoHS
compliant

LF
lead-free

IK10

(Stainless)

Materials

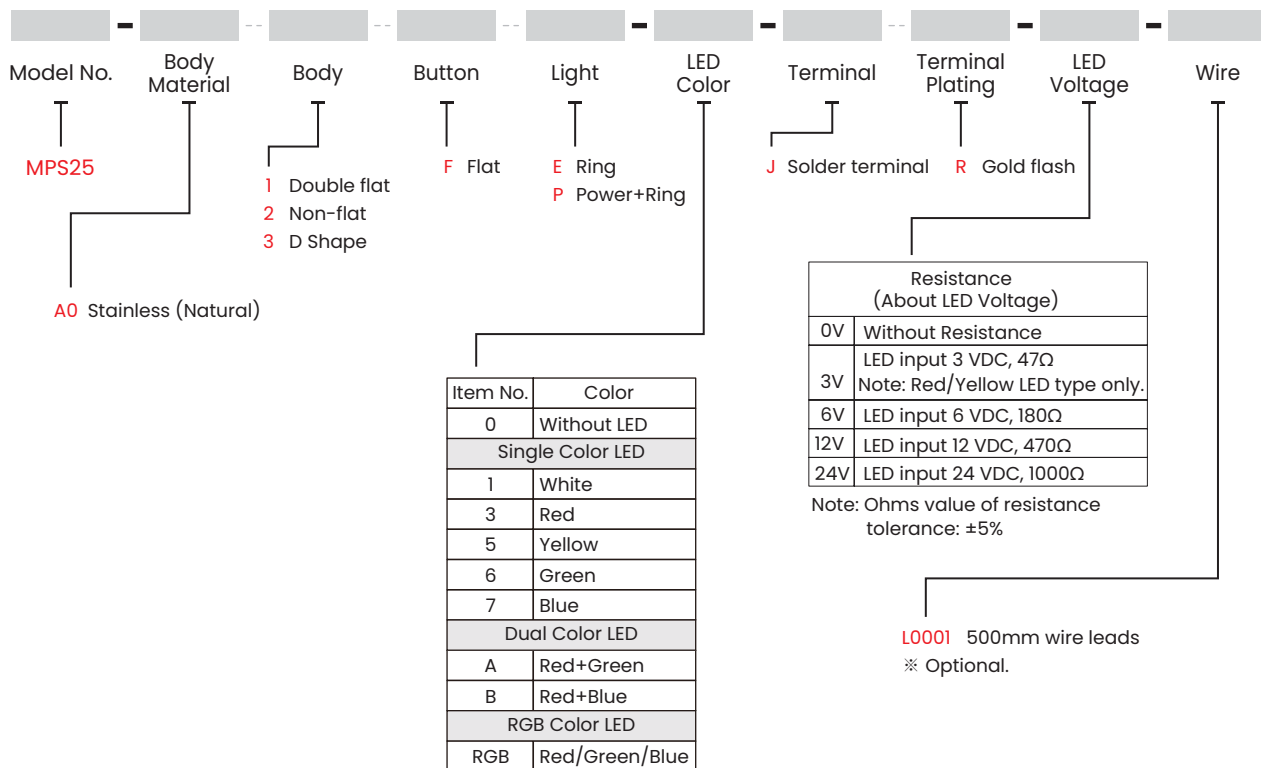
Bushing: Stainless Steel.
 Base: PA66, White (UL 94 V-0).
 Actuator: PC, Translucent (UL 94 V-2), Stainless Steel.
 Inner Assembly: PC, Transparent (UL 94 V-2).
 Spring: Spring steel.
 Sealing: Silicone, Translucent.
 O-Ring: Silicone.
 Terminal: Brass, Gold flash plated.
 Contact: Brass, Coin silver, Gold flash plated.
 Hex Nut: Brass, Nickel plated.
 Wire: Standard wire UL 3385 - 20 AWG.

Soldering Process

Manual Soldering: Use 60 watts soldering iron and controlled the temperature at 280°. Duration of solder immersion: Max. 3 sec.

HOW TO ORDER

Note: Specifications and availability subject to change without notice.



Note: 1. Current limiting resistor is required to limit LED forward current to 20 mA.
 2. For other LED colors information please consult sales representative.

EXAMPLE:

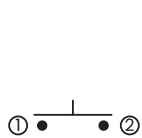
MPS25-A01FE-□-JR-□V
 □ LED Voltage
 □ LED Color

MPS25-A01FE-□-JR-□V-L0001 (With wire)
 □ LED Voltage
 □ LED Color

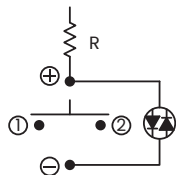


▼ **CIRCUIT**

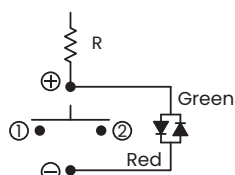
Note: According to the input voltage adjustment resistance.



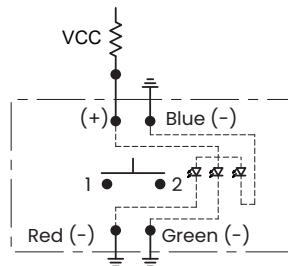
Without LED



Single Color LED



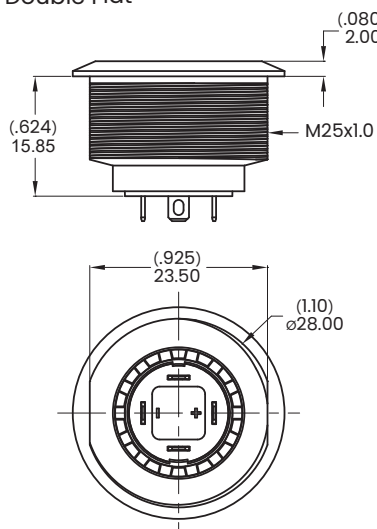
Dual Color LED



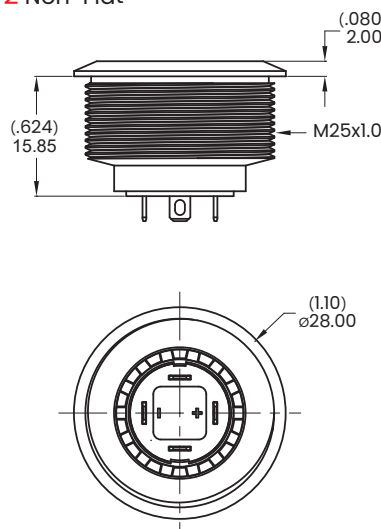
RGB Color LED

▼ **BODY OPTIONS**

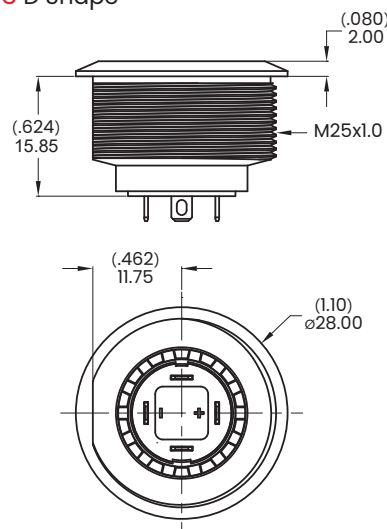
1 Double Flat



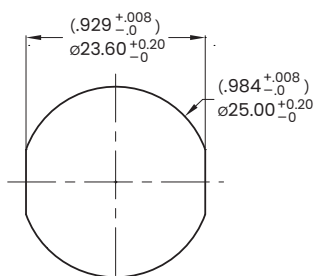
2 Non-Flat



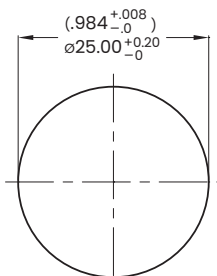
3 D Shape



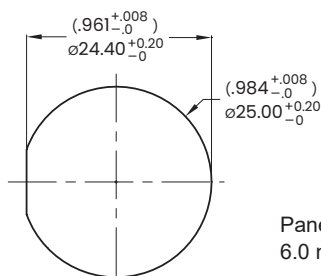
▼ **PANEL MOUNTING**



Double Flat



Non-Flat

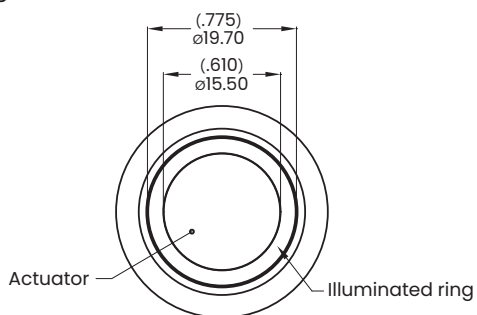


D Shape

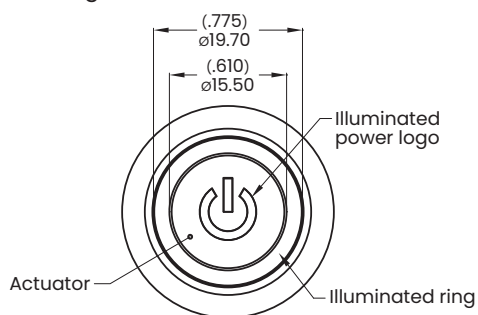
Panel thickness:
6.0 mm (.236 inch) MAX.

▼ **LIGHT OPTIONS**

E Ring



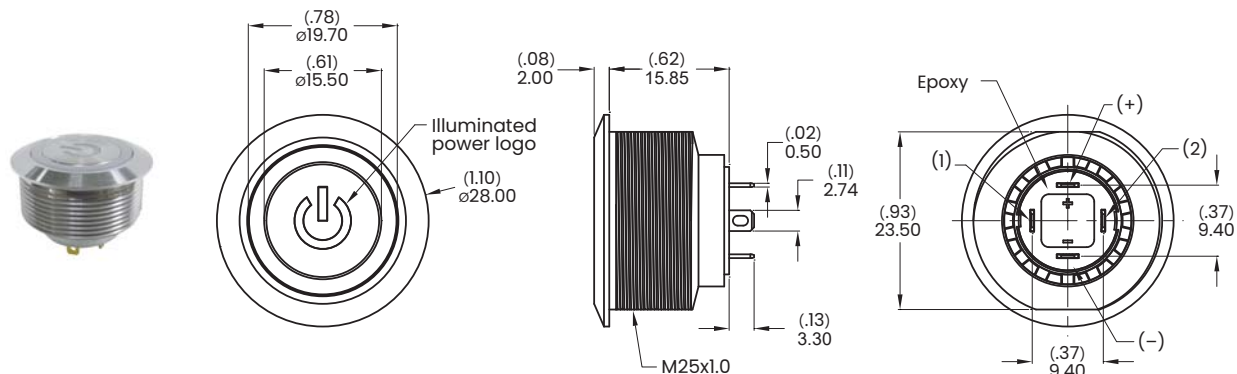
P Power+Ring



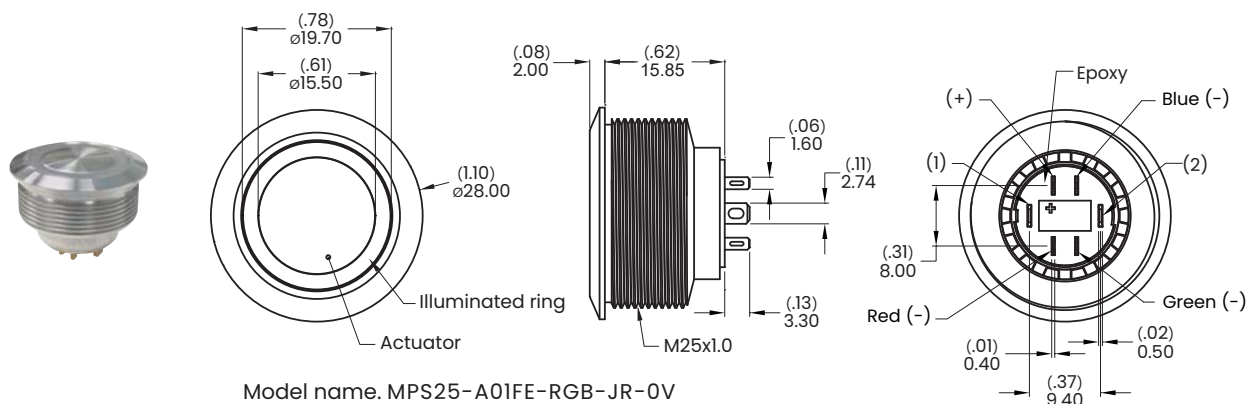


▼ DIMENSION

MPS25
Pushbutton Switches



Model name. MPS25-A01FP-1-JR-12V

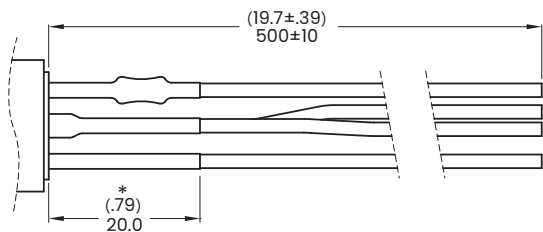


Model name. MPS25-A01FE-RGB-JR-0V

▼ WIRE OPTIONS

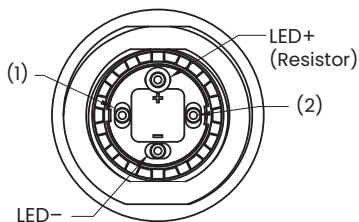
Note: Please consult sales for additional wire options.

L0001 500 mm wire leads, 20 AWG



Heat shrink tube

*Note: No external resistance heat shrink sleeve 10 mm (.39 inch).



Wires:

Black wire - Terminals

Red wire - LED (+)

Green wire - LED (-)

Note: No LED terminals is black wires.

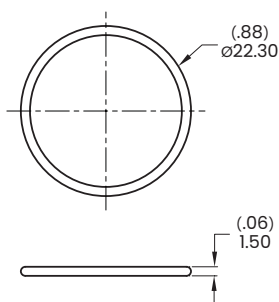
▼ HARDWARE

* Standard hardware : 1 Nut, 1 O-Ring

* For further information please consult sales representative.

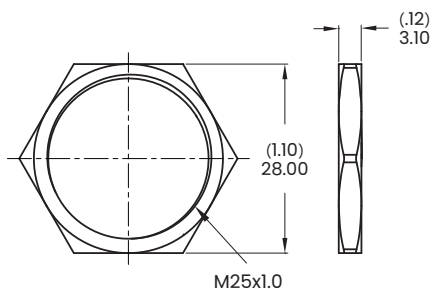
O-Ring

Model name. FCP-MPB25



Hex Nut

Model name. MNU-MPB03



O-RING INSTALLATION

Proposal	In front of the panel
Installation Diagram	