



**Specifications**

Rating: 2A / 36 VDC  
 Electrical Life: 200,000 make-and-break cycles at full load.  
 Mechanical Life: 1,000,000 cycles.  
 Dielectric Strength: 2,000V RMS@sea level.  
 Contact Resistance: 50 mΩ MAX.@1A 12 VDC (initial value).  
 (without wire leads).  
 Note: When the switches with the wire assembly, we only test the electric conduction and will not test the contact resistance on the wire.  
 Operating Temperature: -20°C to 70°C.  
 Travel: ABOUT 1.8 mm.  
 Operation Pressure: 4.5 ± 1.5 N.  
 Torque: 1~3 Nm

**Ingree Protection:**



(Stainless)

**Materials**

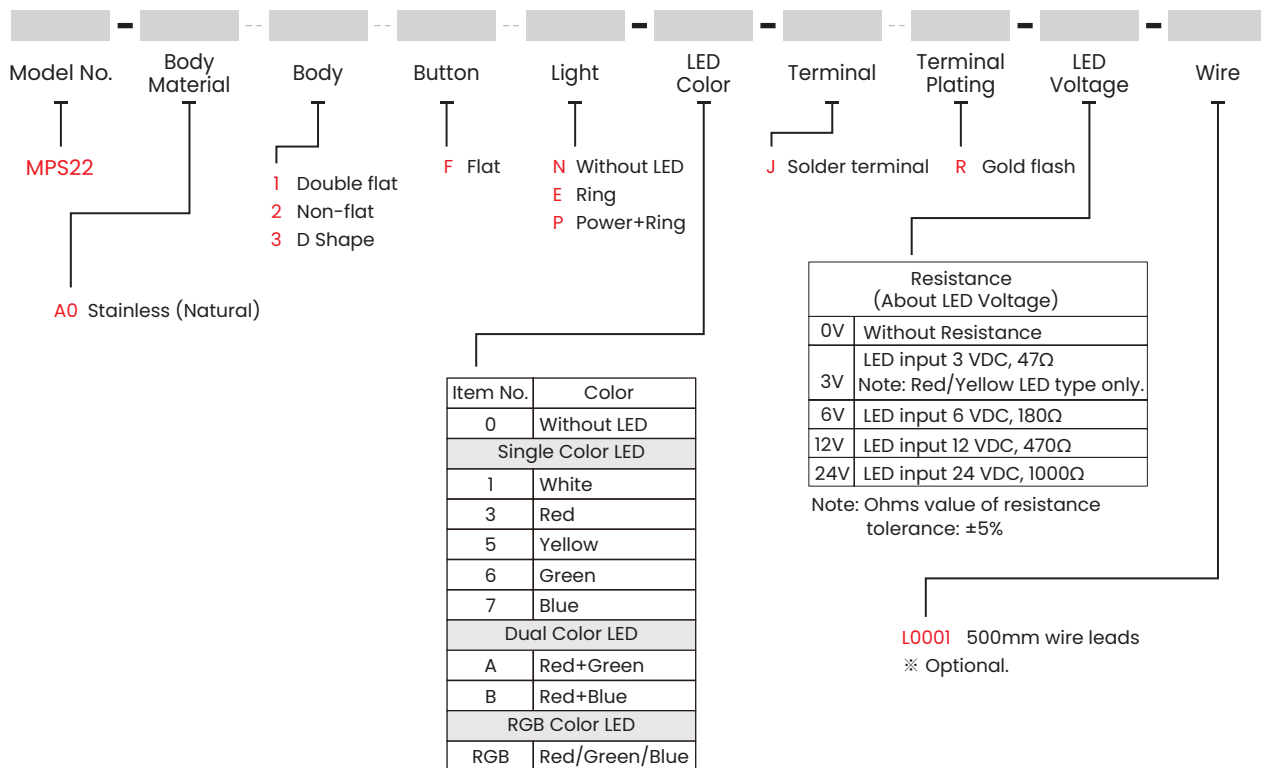
Bushing: Stainless Steel.  
 Base: PA66, White (UL 94 V-0).  
 Actuator: PC, Translucent (UL 94 V-2), Stainless Steel.  
 Inner Assembly: PC, Transparent (UL 94 V-2).  
 Spring: Spring steel.  
 Sealing: Silicone, Translucent.  
 O-Ring: Silicone.  
 Terminal: Brass, Gold flash plated.  
 Contact: Brass, Coin silver, Gold flash plated.  
 Hex Nut: Brass, Nickel plated.  
 Wire: Standard wire UL 3385 - 20 AWG.

**Soldering Process**

Manual Soldering: Use 60 watts soldering iron and controlled the temperature at 280°. Duration of solder immersion: Max. 3 sec.

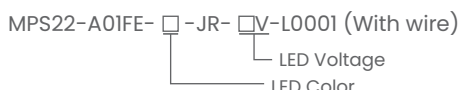
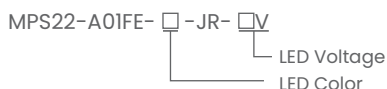
**HOW TO ORDER**

Note: Specifications and availability subject to change without notice.



Note: 1. Current limiting resistor is required to limit LED forward current to 20 mA.  
 2. For other LED colors information please consult sales representative.

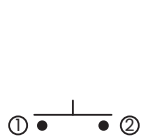
**EXAMPLE:**



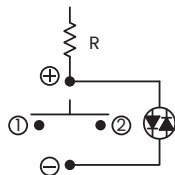


▼ **CIRCUIT**

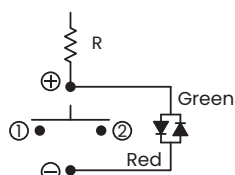
Note: According to the input voltage adjustment resistance.



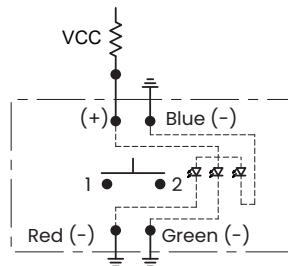
Without LED



Single Color LED



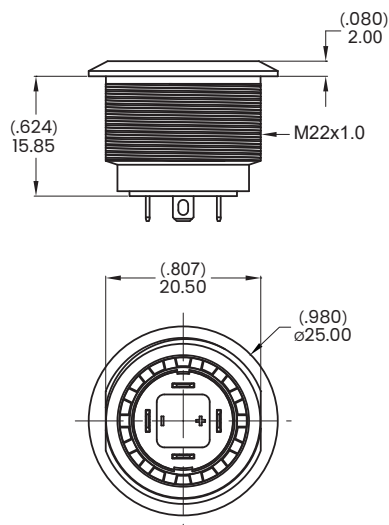
Dual Color LED



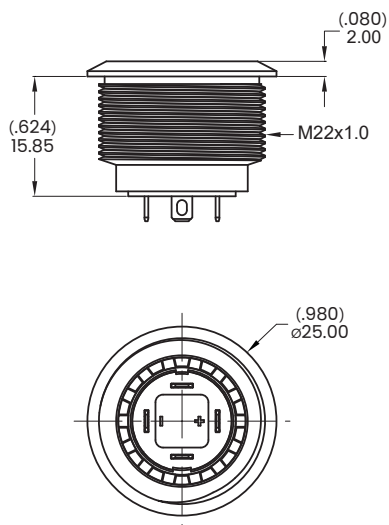
RGB Color LED

▼ **BODY OPTIONS**

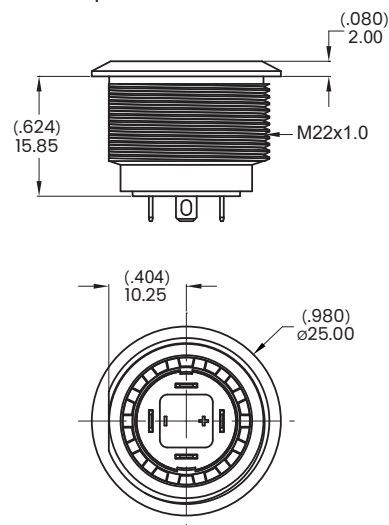
**1** Double Flat



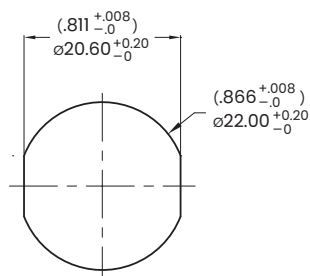
**2** Non-Flat



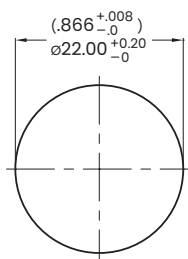
**3** D Shape



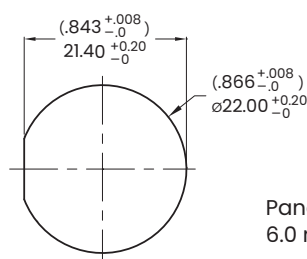
▼ **PANEL MOUNTING**



Double Flat



Non-Flat

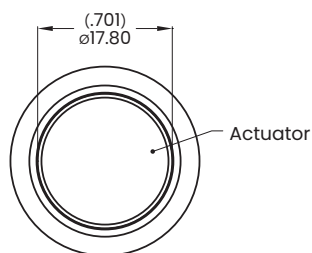


D Shape

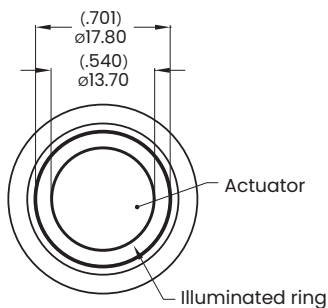
Panel thickness:  
6.0 mm (.236 inch) MAX.

▼ **LIGHT OPTIONS**

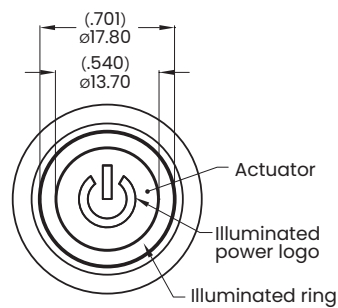
**N** Without LED



**E** Ring

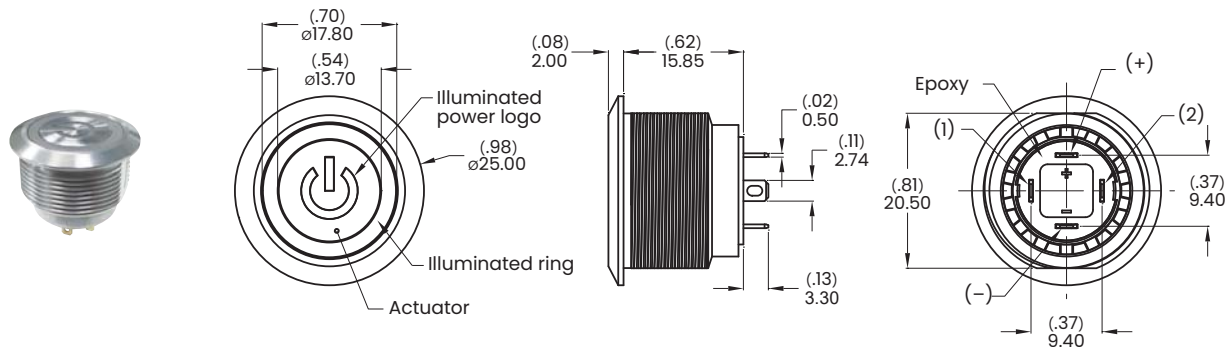


**P** Power+Ring

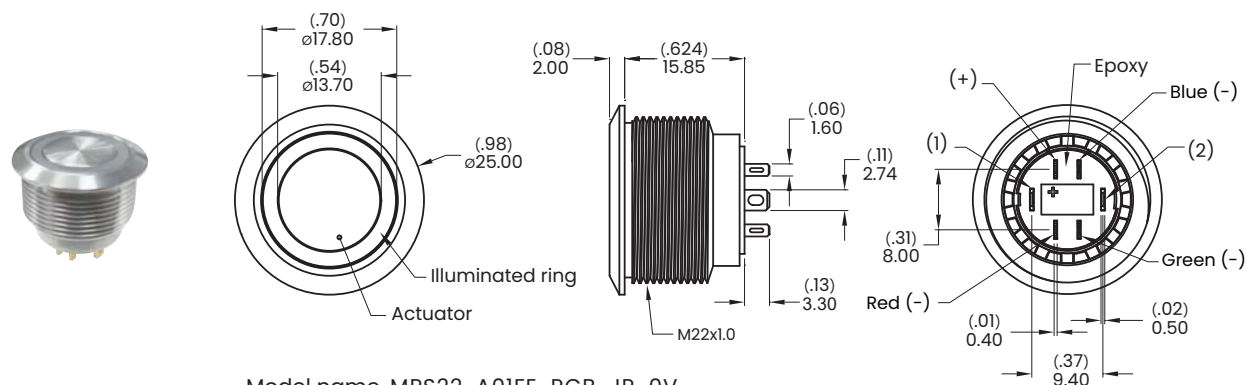




▼ DIMENSION



Model name. MPS22-A01FP-1-JR-0V

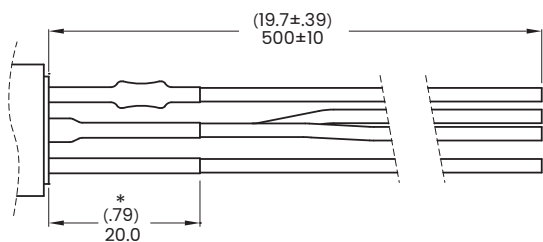


Model name. MPS22-A01FE-RGB-JR-0V

▼ WIRE OPTIONS

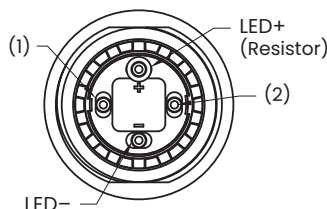
Note: Please consult sales for additional wire options.

**L0001** 500 mm wire leads, 20 AWG



Heat shrink tube

\*Note: No external resistance heat shrink sleeve 10 mm (.39 inch).



Wires:

Black wire - Terminals

Red wire - LED (+)

Green wire - LED (-)

Note: No LED terminals is black wires.

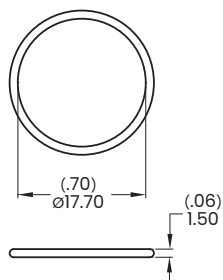
▼ HARDWARE

\* Standard hardware : 1 Nut, 1 O-Ring

\* For further information please consult sales representative.

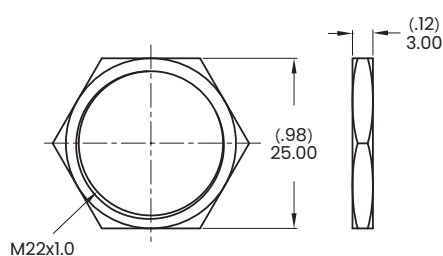
**O-Ring**

Model name. FCP-MPB07



**Hex Nut**

Model name. MNU-MPB02



**O-RING INSTALLATION**

Proposal	In front of the panel
Installation Diagram	