



Specifications

Rating : 2A / 36V DC.
 Electronics Life : 100,000 make-and-break cycles at full load.
 Insulation Resistance: 1,000 MΩ Min. at 500 VDC.
 Dielectric Strength: 2,000V RMS@sea level.
 Contact Resistance: 50 mΩ Max.@1A/12 VDC (Initial value)
 (without wire leads).
 Note: When the switches with the wire assembly, we only test the electric conduction and will not test the contact resistance on the wire.
 Operating Temperature: -20°C to +70°C.
 Travel: About 2.3 mm.
 Operating Pressure: 4.5 N ± 1.5 N.
 Torque: 11.5 kgf · cm.
 ※ CAP Keeps same high.

Ingree Protection: IP67 (In house test)



Materials

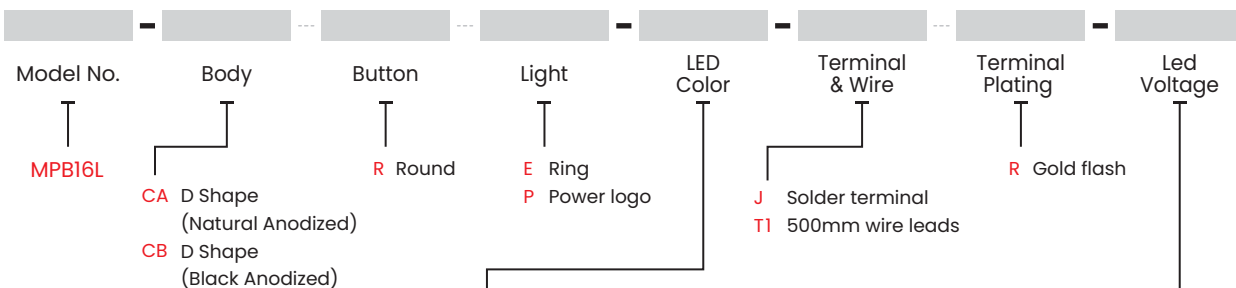
ousing: Aluminum alloy (Anodized).
 Base: Nylon 6/6.
 Actuator: POM.
 Cap: PC, Aluminum alloy (Anodized).
 Spring: Steel.
 Sealing: Silicone.
 O-Ring: Silicone.
 Terminal: Brass, Coin silver, gold flash plated.
 Contact: Brass, Coin silver, gold flash plated.
 Nut: Brass(Nickel Plated).
 Wire: Standard wire UL 3385 - 20 AWG.

Soldering Process

Manual Soldering: Use 60 watts soldering iron and controlled the temperature at 280°.
 Duration of solder immersion: Max. 3 sec.

HOW TO ORDER

Note: Specifications and availability subject to change without notice.



Item No.	Color
00	Without LED
Single Color LED	
01	White
03	Red
04	Orange
05	Yellow
06	Green
07	Blue
Dual Color LED	
36	Red+Green
37	Red+Blue
71	Blue+White

Resistance (About LED Voltage)	
3V	LED input Voltage 3 VDC (Without Resistance)
6V	LED input 6 VDC, 180Ω
12V	LED input 12 VDC, 470Ω
24V	LED input 24 VDC, 1000Ω

Note: Ohms value of resistance tolerance: ±5%

- ※ OFF=Without light
- ON=LED Blue light
- Ex : 07
- ※ OFF(Red); ON(Green)
- Ex : 36

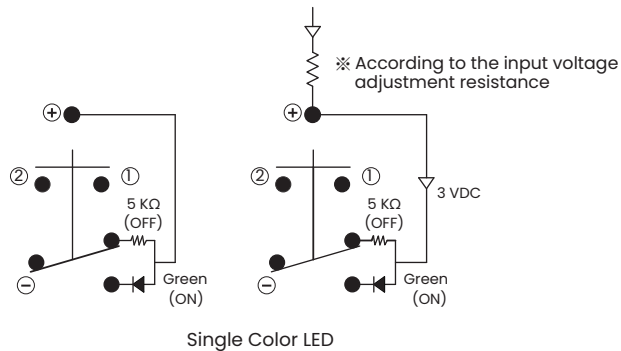
Note: 1.Current limiting resistor is required to limit LED forward current to 20 mA.
 2.For other LED colors information please consult sales representative.

EXAMPLE:
 MPB16L-CARE-00-JR-0 (Without LED)
 MPB16L-CARE- [] -JR- [] V
 [] LED Voltage
 [] LED Color

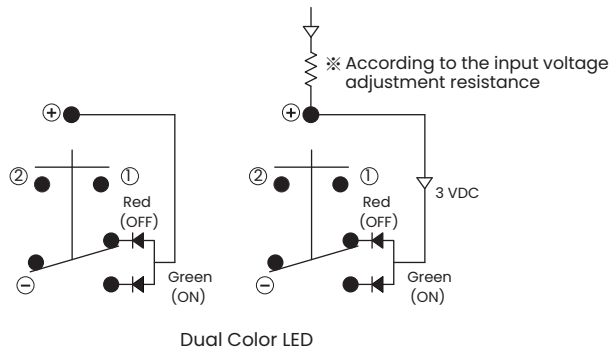


▼ **CIRCUIT**

MPB16L
Pushbutton Switches



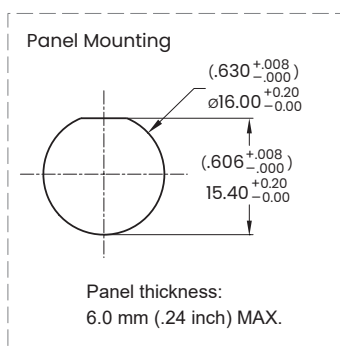
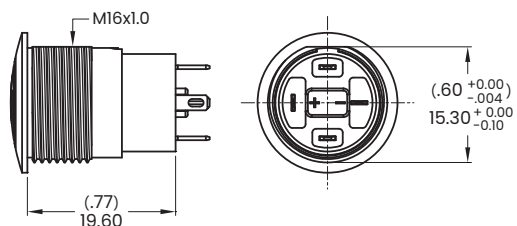
Note: Push-OFF, Without light
Push-ON, LED Green light (Latching)



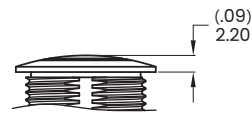
Note: Push-OFF, LED Red light
Push-ON, LED Green light (Latching)

▼ **BODY AND BUTTON OPTIONS**

CA / CB D Shape

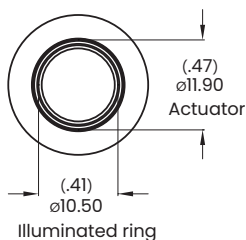


R Round

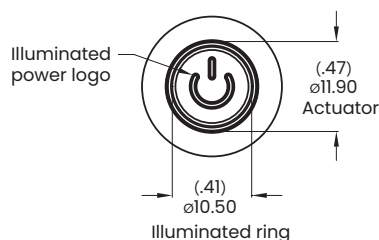


▼ **LIGHT OPTIONS**

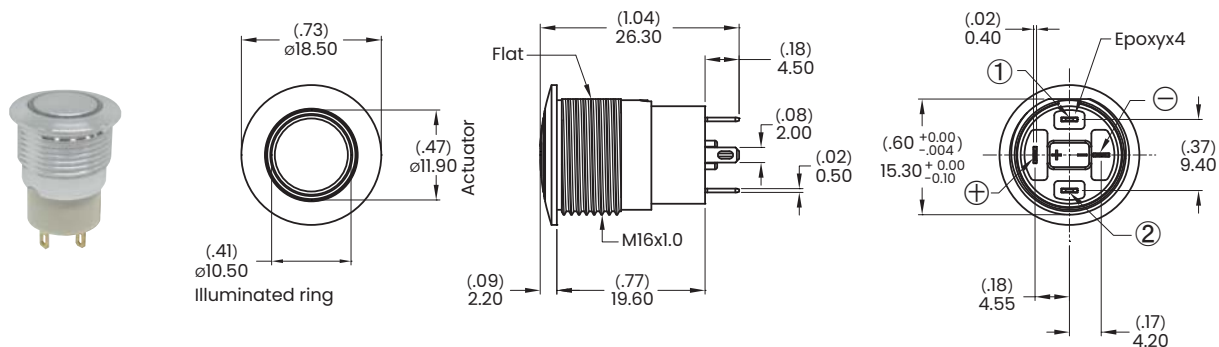
E Ring



P Power logo



▼ **DIMENSION**



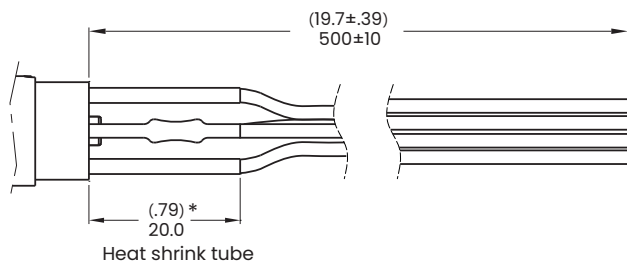
Model name. MPB16L-CARE-07-JR-3V



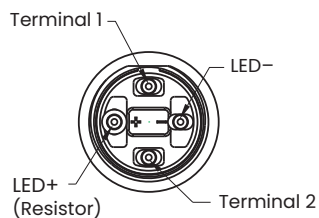
▼ **WIRE**

Note: Please consult sales for additional wire options.

T1 500 mm wire leads, 20 AWG



*Note: No external resistance heat shrink sleeve 10 mm (.39 inch).



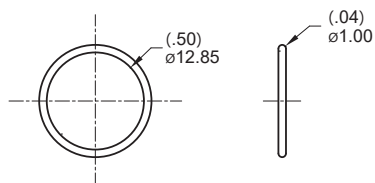
Wires:
 Black wire - Terminal
 Red wire - LED (+)
 Green wire - LED (-)
 Note: No LED terminals is black wires.

▼ **HARDWARE**

* Standard hardware : 1 Nut, 1 O-Ring
 * For further information please consult sales representative.

O-Ring

Model name. FCP-MP602



Hex Nut

Model name. MNU-PY01

