



8B Pushbutton Switches

**Specifications**

Mechanical Life: 50,000 make-and-break cycles.  
 Electrical Life: 6,000 cycles.  
 Contact Resistance: 20 mΩ max. (initial value) @ 2-4 VDC 100 mA for both silver and gold plated contacts.  
 Insulation Resistance: 1,000 MΩ min. at 1,000 VDC  
 Dielectric Strength: 1,000 Vrms min.@sea level (initial value).  
 Operating Temperature: -30°C to 85°C.

Ingree Protection:

**Materials**

Case and Bushing: Glass filled nylon 6/6, flame retardant, heat stabilized (UL 94 V-0).  
 Plunger: Thermoplastic polyester (UL 94 V-0), internal o-ring sealed.  
 Switch Support: Brass, tin plated.  
 Terminal: Copper with silver or gold plated.  
 Contact: Copper or brass with silver or gold plated.

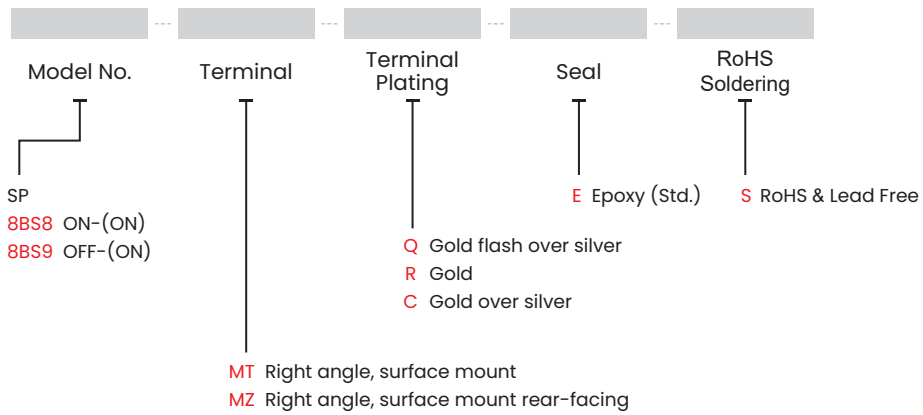
**Contact & Terminal Plating Options:**

Contact Plating	Terminal Plating	Ratings
Q Silver	Gold flash over silver	3 Amps with resistant load @ 120 VAC or 28 VDC
C Gold over Silver	Gold over silver	1 Amps with resistant load @ 250 VAC
R Gold	Gold	0.4 Volt - Amps (VA) max. @ 20V max. (AC or DC)

Notes: All models with all options when ordered with Q or C contact material.

**HOW TO ORDER**

Note: Specifications and availability subject to change without notice.



EXAMPLE: 8BS8MTRES



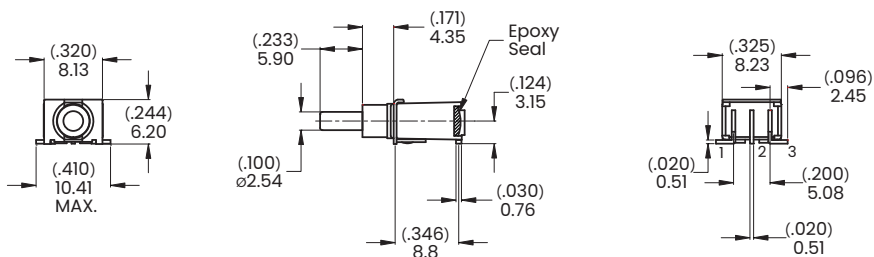
▼ SWITCH FUNCTION

No. Poles	UL/CSA Model No.	Model No.	Switch Function		Connected Terminals / Schematic	
			POS. 1	POS. 2	POS. 1	POS. 2
SP	Q28B18	8BS8	ON	(ON)	2-1 NC 1 • 2 (COMM) • 3 NO	2-3 NC 1 • 2 (COMM) • 3 NO
	Q28B19	8BS9	OFF	(ON)	OPEN	1-3 

( )=Momentary

▼ POLE OPTIONS

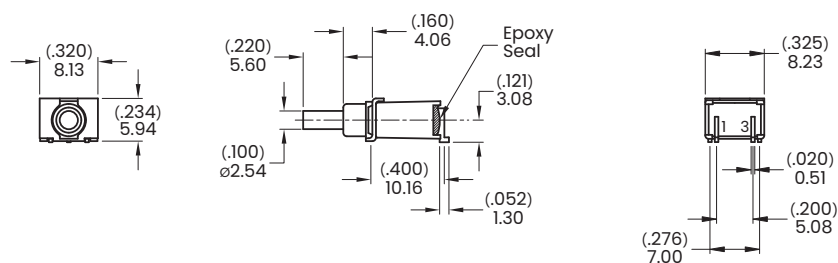
MT



SPDT

Model name. 8BS8MTRES

MZ

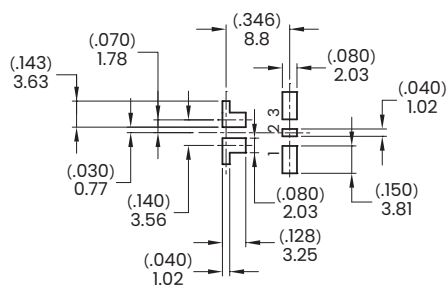


SPST

Model name. 8BS9MZRES

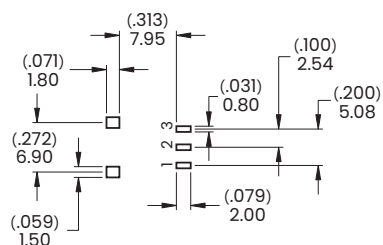
▼ PCB MOUNTING

MT



8BS9 Models: Omit terminal 2

MZ



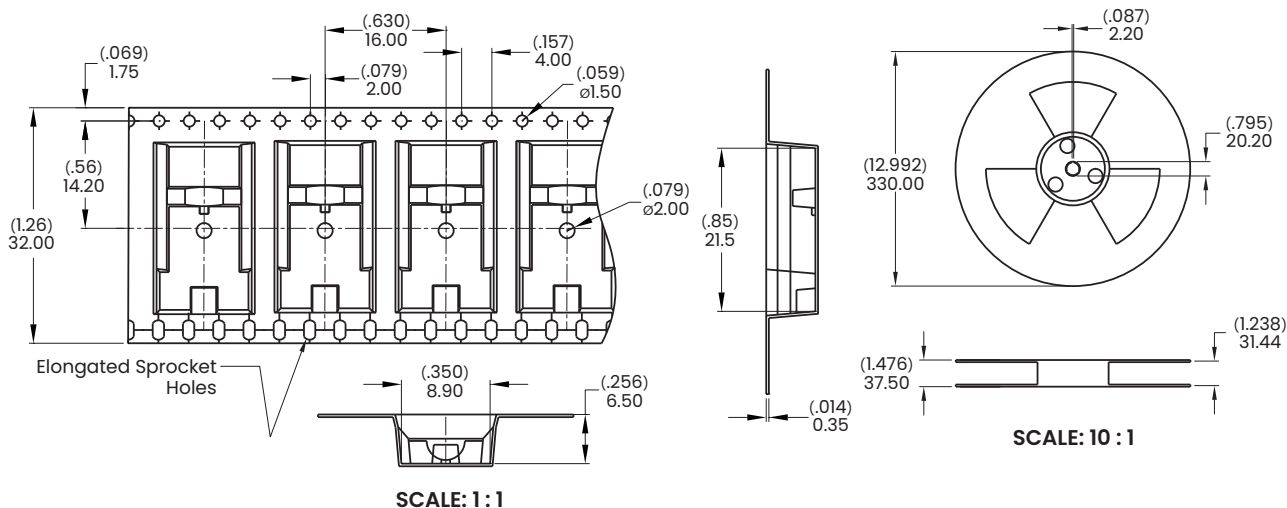
8BS9 Models: Omit terminal 2



▼ **PACKAGING**

Switches available on embossed antistatic tape and reels.  
Tape and cover strip are conductive for use near statically sensitive components.

8B  
Pushbutton Switches



Reel Information	
Quantity Per Reel	500 / pcs

▼ **SOLDERING PROCESS**

REFLOW SOLDERING: Recommend soldering temperature:  $260 \pm 5^\circ\text{C}$

Duration of solder immersion: Max. 5 sec. (PCB thickness is 1.6 mm (.063 inch))

SOLDERING: Vapor phase & IR-reflow soldering can be applied.

Temperature Profile

Zone	Room Temperature	Time (Sec)
Pre-heat (A)	150°C	Min 120s
Soak (B)	150°C ~ 200°C	Min 150s
Peak (C)	200°C ~ 235°C	Min 30s
Peak (D)	235°C ~ 260°C	Min 40s
Peak (E)	260°C	Max 5s

