



Specifications

Mechanical Life: 30,000 make-and-break cycles.
 Electronics life: 30,000 make-and-break cycles at full load.
 Contact Resistance: 20 mΩ max. (initial value) @ 2-4 VDC 100 mA
 for both silver and gold plated contacts.
 Insulation Resistance: 1,000 MΩ min. at 500 VDC
 Dielectric Strength: 1,500 Vrms min. @ sea level (initial value).
 Operating Temperature: -30°C to 85°C.

Contact & Terminal Plating Options:

	Contact Plating	Terminal Plating	Rating
N	Silver	Nickel	12 Amps @125 / 250 VAC.

Ingree Protection:



Materials

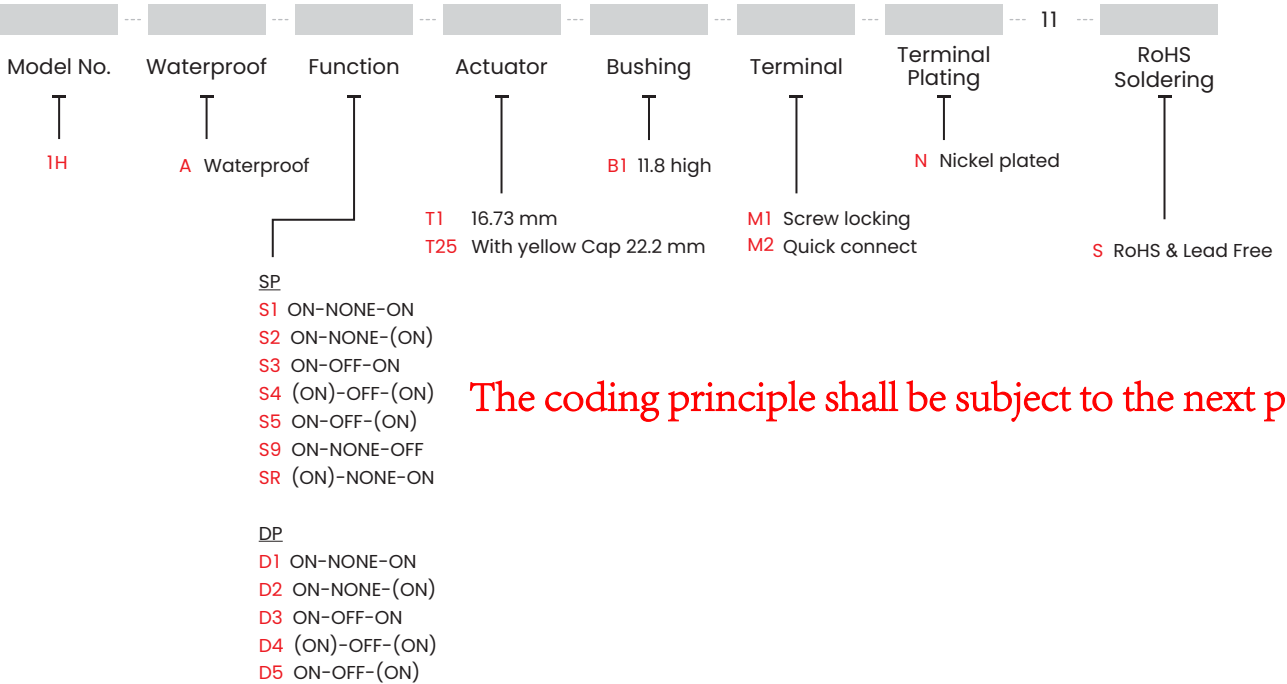
Case: Nylon (UL 94 V-0)
 Actuator: Brass, Tin-Cobalt alloy over Ni plated.
 Cap: PBT, Yellow.
 Bushing: Zinc+Silicone.
 Contact: Copper, Silver plated.
 Terminal: Copper, Nickel plated.

Soldering Process

Manual Soldering: Use 30 watts soldering iron and controlled the temperature at 350°. Duration of solder immersion: Max. 5 sec.
 Wave Soldering: Recommend soldering temperature: 260 ± 5°C Duration of solder immersion: Max. 5 sec. (PCB thickness is 1.6 mm (.063 inch))

HOW TO ORDER

Note: Specifications and availability subject to change without notice.



The coding principle shall be subject to the next page.

EXAMPLE: 1HAS1T1B1M1N1S

製成品1H

1	2	3	4	5	6	7	8	9	10	11	12	13	14	15	16	17	18	
大類		防護	形式	段數	把手			銅頭		端子		電鍍碼	鍍層流水號	LOGO	RoHS	分隔碼	配件碼	
1H		A	S D	1 2 3 4 5	T1 T2X			B1		M1 M2		N	1	1	S	—	5	
		B						B2						C			2	
1	2	3	4	5	6	7	8	9	10	11	12	13	14	15	16	17	18	

HOW TO ORDER

12 3 4 5 678 910 1112 13 14 15 16 18
 1H - A - S - X - T2X - BX - MX - N - 1 - 1 - S - 5

1H Type

A: Waterproof
B: None waterproof

S: Single pole
D: Double pole

1: ON__ON
2: ON__(ON)
3: ON__OFF__ON
4: (ON)__OFF__(ON)
5: ON__OFF__(ON)
9: ON—NONE—OFF

(XX)=MOMENTARY

T1: Round head 16.73 Hight
T2X: Color cap 22.0 Hight

T21=White
T22=Black
T23=Red
T24=Orange
T25=Yellow
T26=Green
T27=Blue
T28=Brown
T29=Gray

B1: Zinc alloy die casting bushing height 11.8mm.
B2: Lathe process bushing height 11.8mm. (None waterproof)

M1: Screw locking
M2: Quick connect

1: "D" logo
C: "CIT" logo (customer logo)

N1: Nickel plating 3um. (for Terminal)

RoHS & Lead free

5: NU-1M07+HV2-NU-1M08-ZB+NU-1M74 (General)
2: NU-1M07+HV2-NU-1M08P-ZB+NU-1M74+FCP-1H11



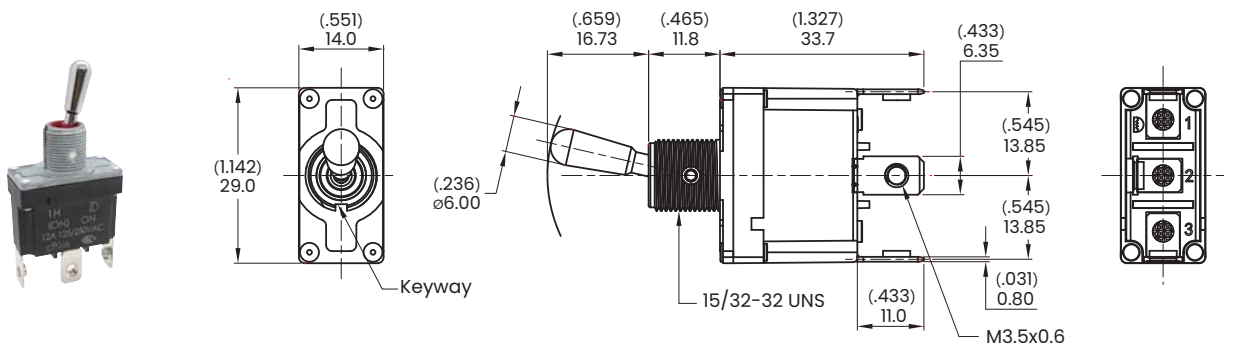
▼ SWITCH FUNCTION

1H
Toggle Switches

No. Poles	Model No.	Switch Function			Connected Terminals / Schematic			
		POS. 1	POS. 2	POS. 3	POS. 1	POS. 2	POS. 3	
SP	S1	ON	NONE	ON	2-3	N/A	2-1	
	S2	ON	NONE	(ON)				
	S3	ON	OFF	ON		OPEN		
	S4	(ON)	OFF	(ON)				
	S5	ON	OFF	(ON)				
		S9	ON	NONE	OFF	2-3	N/A	OPEN
		SR	(ON)	NONE	OFF	2-3	N/A	2-1
DP	D1	ON	NONE	ON	2-3, 5-6	N/A	2-1, 5-4	
	D2	ON	NONE	(ON)				
	D3	ON	OFF	ON		OPEN		
	D4	(ON)	OFF	(ON)				
	D5	ON	OFF	(ON)				

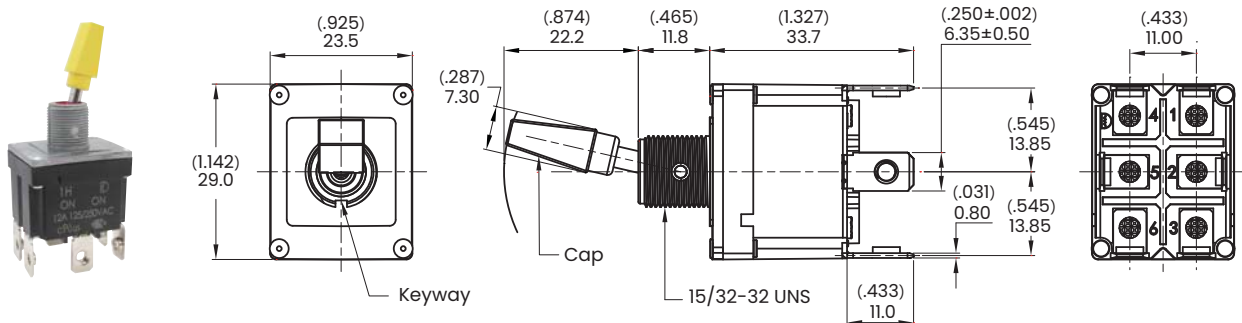
()=Momentary

▼ POLE OPTIONS



SPDT

Model name. 1HAS1T1B1M1N1I1S



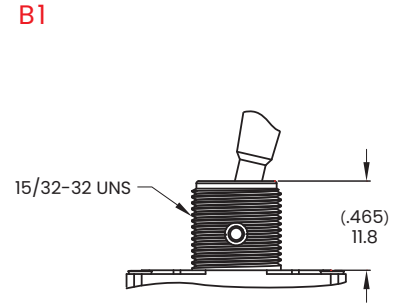
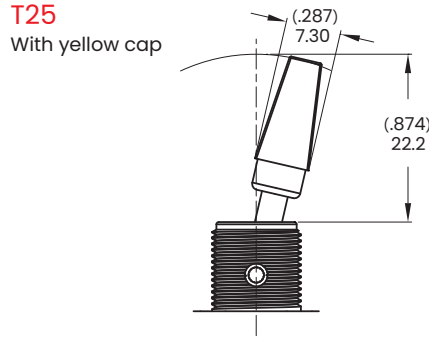
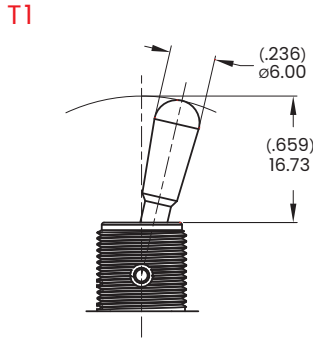
DPDT

Model name. 1HAD1T25B1M1N1I1S



▼ **ACTUATOR OPTION**

▼ **BUSHING OPTION**

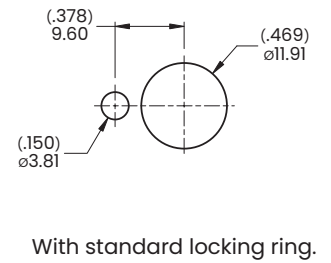
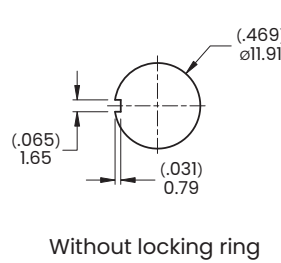
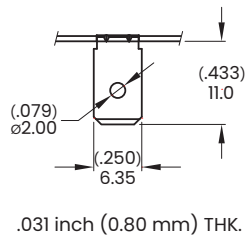
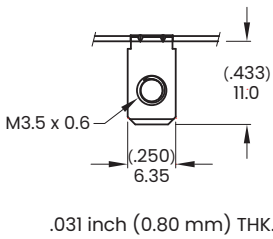


▼ **TERMINAL OPTION**

▼ **PANEL MOUNTING**

M1 Screw locking

M2 Quick connect



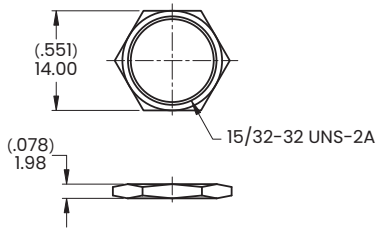
▼ **HARDWARE**

EXAMPLE: - Model name. 5 Standard hardware

* Standard : 2 Nuts, 1 Locking Ring, 1 Lock Washer
* For further information please consult sales representative.

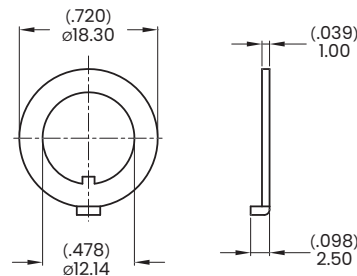
Hex Nut

Model name. MNU-1M07



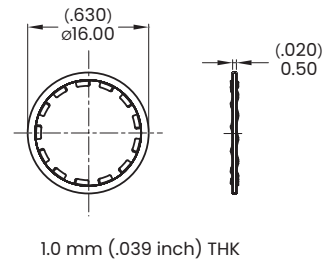
Locking Ring

Model name. NV-MNU-1M08-ZB



Lock Washer

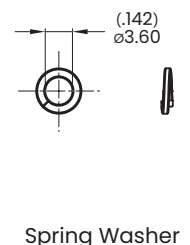
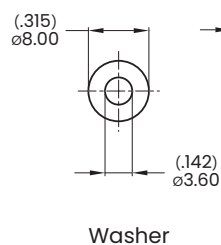
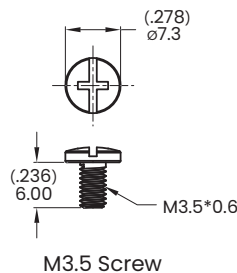
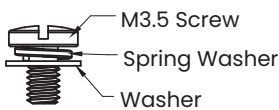
Model name. MNU-1M74



M3.5 Screw Assembly

Model name. YA7-1H

Available with terminal M1 only.



IP67 for the whole series:
Protected against the effects of immersion up to 1 m water (30 min)

